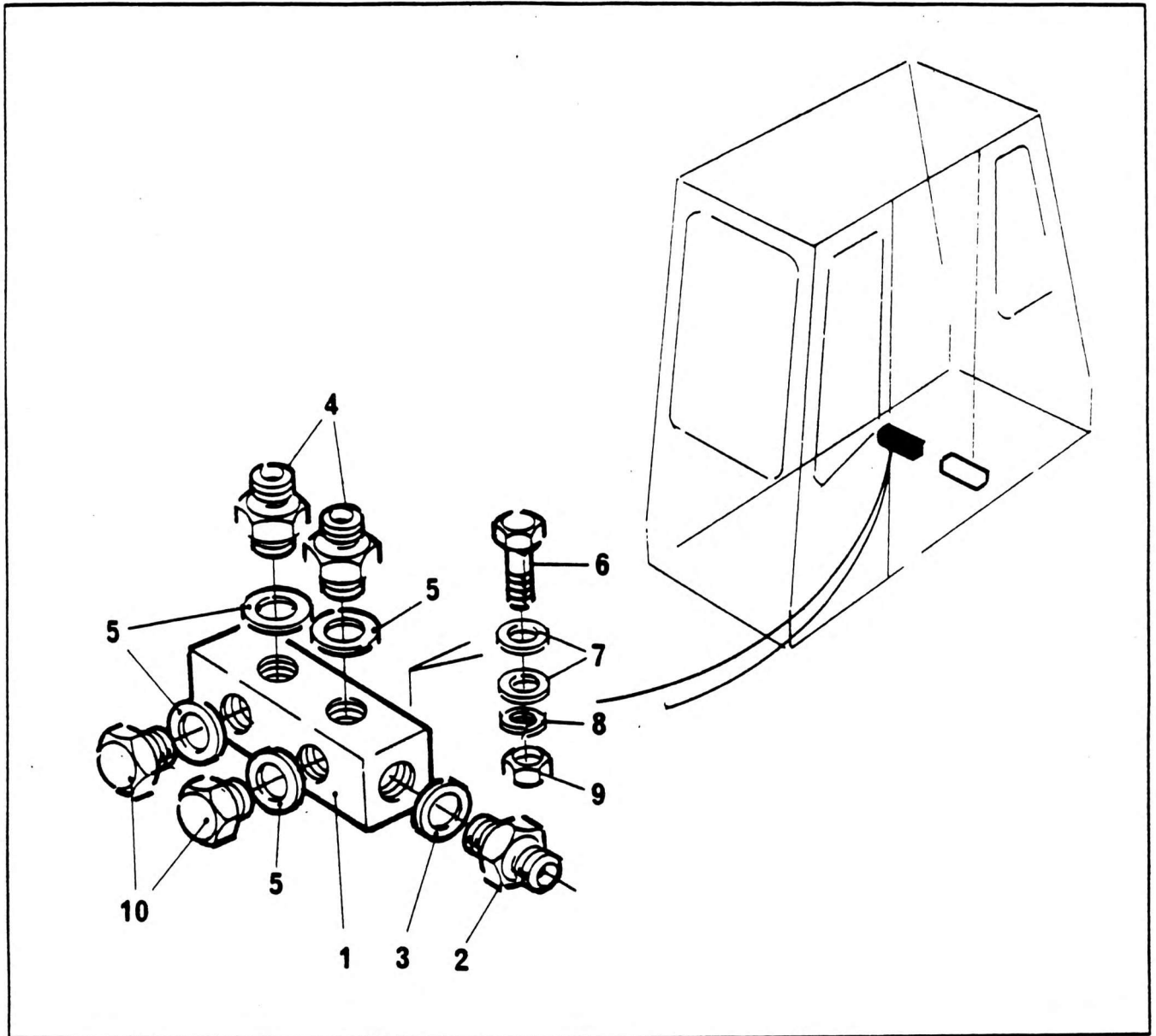


JUNCTION BLOCK ASSEMBLY



NO.	PART NO.	QTY.	DESCRIPTION	NO.	PART NO.	QTY.	DESCRIPTION
1	8583559	1	Block Junction				
2	7-443-990912	1	Adaptor $\frac{3}{8}$ " BSPP - $\frac{3}{8}$ "				
3	7355204	1	Seal Dowty $\frac{3}{8}$ "				
4	7-443-990911	2	Adaptor $\frac{1}{2}$ " BSP x $\frac{1}{2}$ " Jic				
5	7355201	4	Bonded Seal $\frac{1}{2}$ " BSP				
6	7045102	2	Screw Hex Head M6 x 20 Long				
7	7066536	4	Washer Plain M6				
8	7067214	2	Washer Spring M6				
9	7069102	2	Nut M6				
10	8940796	2	Plug $\frac{1}{2}$ "				